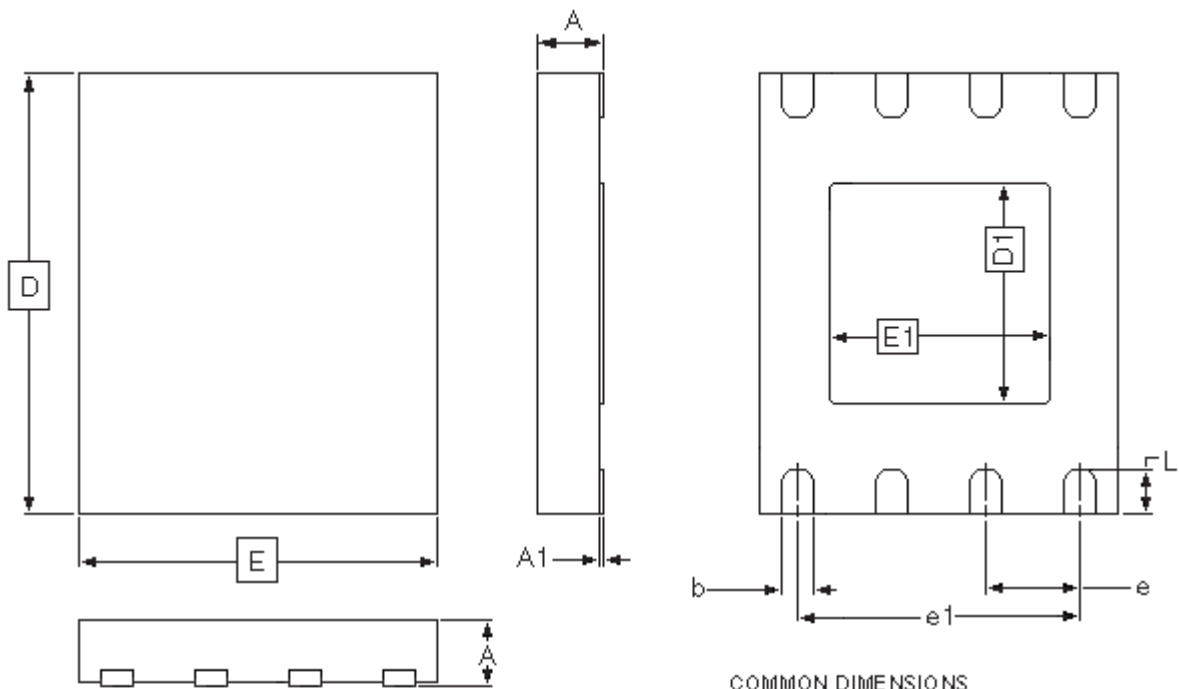


Wiring scheme for 8 pin DIL to SON8.

DIL8	SON8
1	1
...	...
8	8

SON8



COMMON DIMENSIONS
(Unit of Measure = mm)

SYMBOL	MIN	NOM	MAX
A	-	-	0.90
A1	0.00	-	0.05
D	5.80	6.00	6.20
E	4.70	4.90	5.10
D1	2.85	3.00	3.15
E1	2.85	3.00	3.15
b	0.35	0.40	0.45
e	1.27 TYP		
e1	3.81 REF		
L	0.50	0.60	0.70